



15" POS Android PCAP Touch Screen

Overview

Integrated Android Media Player

The integrated Android Media Player allows for super fast updates. If required you can also run third party Digital Signage software via the Android PC board.



Commercial Grade Tablet

Designed for use in commercial applications this screen can run 24/7. Strengthened glass front and no external buttons or controls to avoid tampering.

10-Point PCAP Touch Technology

Using the most responsive and sensitive commercial touch technology available. Not affected by dust or debris on the screen surface.

LED Backlight

Improves brightness and contrast as well as improving their lifespan and reducing their power consumption. Unlike other forms of light this technology is mercury free; making it even more eco-friendly. The panel and backlight have a lifespan in excess of 50,000 hours.



Built in Wi-Fi

Connect the screen to the CMS wirelessly via the integrated Wi-Fi, ethernet or by LAN

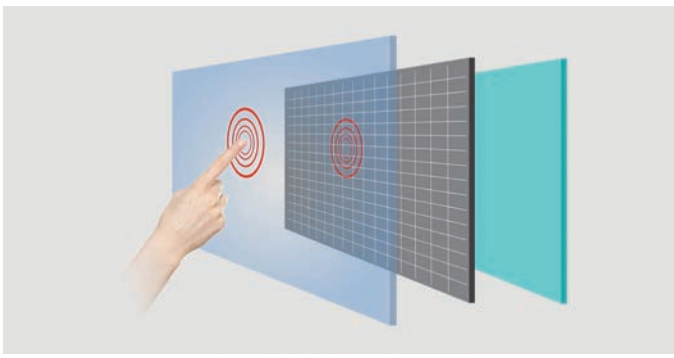


Portrait/Landscape Orientation

The screen can be used in either a landscape or portrait orientation depending on your requirement.

Integrated Mounting Solution

The rear of the display includes an integrated and secure screw based mounting solution.



PCAP Touch Screen

State of the art Projected Capacitive interactive technology offers the most responsive and sensitive touch experience available. Designed for commercial applications, PCAP touch technology works by fixing a sensor grid between a layer of cover glass and the LCD panel, when a finger touches the glass the grid detects the coordinates of the touch point. Unlike other touch technologies PCAP is not affected by dust or debris on the screen surface, allows for up to 10 touch points and offers superior optical quality.



Commercial Tablet

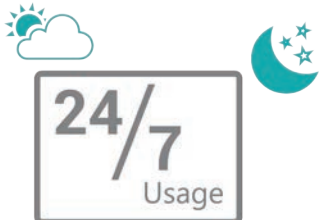
Ideal for use in commercial applications these touch screens bring in a whole new level of audience engagement to your marketing campaigns. Unlike domestic touch tablets these screens can be in continuous use, thanks to their screwless design and enclosure made from light weight polymer these screens are ideal for shelf edge and POS displays. The screen comes with an integrated Android media player that means you can display content without the need for a dedicated PC.

10 Point Touch



Having up to 10 touch points allows for a wider variety of applications than ever before. This kind of functionality allows you to manipulate images, zoom in an out as well as perform many other touch gestures; much like you would with a domestic tablet. It also allows for multiple users interacting with the screen at one time.

24/7 Usage



Built with commercial grade panel and components these displays are designed to run 24/7 in constant use; unlike domestic tablets. The panel also has a lifespan of over 50,000 hours of continuous use. They can also be used in landscape or portrait orientation.

Power Timer



This allows for reduced power usage by automatically powering off in hours that the displays are not required. You can set daily On/Off times for your displays.

LED Backlight



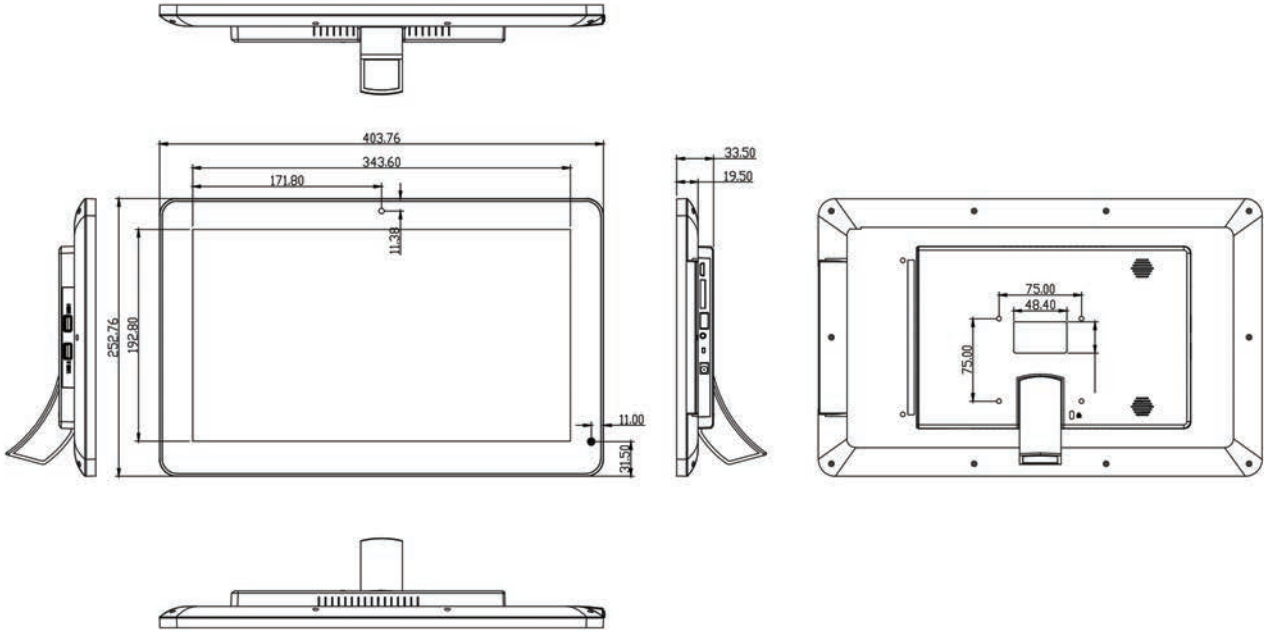
The LED backlight used is not only eco-friendly but also ensures the display has enhanced brightness and contrast. This technology increases the lifespan and reduces the power consumption by around 30%. This form of light technology is mercury free; safeguarding this screen's eco friendliness.

Android Media Player



Their integrated Android network media player provides super-fast processing speed for improved communication with the CMS. It also allows you to display live websites; this can be anything from a live web feed from a third party to your social media page. Should you need to you can also run your own software if you already have a CMS solution.

Technical Drawing:



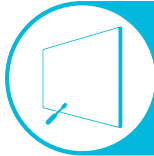
Panel	Display Size	15 inch	
	Resolution	1366x768	
	Display Area (mm)	343.6x192.8	
	Aspect Ratio	16:10	
	Brightness (cd/m ²)	450	
	Colour	16.7M	
	Colour Depth	10 Bit	
	Viewing Angle	178°	
Contrast Ratio	800:1		
Touch	Touch Technology	Projected Capacitive	
	Touch Points	10	
	Glass Hardness	7H minimum	
Audio	Speaker Type	2W, 8Ω x 2	
Power	Power Consumption (W)	20	
	Input Voltage	AC110~240V (50Hz~60Hz)	
Mechanical	Unit Size (WxHxD mm)	403.8x252.8x32	
	VESA Holes (mm)	75x75	
	Package Size (WxHxD mm)	430x359x68	
	Working Temperature	0 °C to 50 °C	
Feature	Media Formats	Video (MPG, AVI, MP4, RM, RMVB, TS), Audio (MP3, WMA), Image (JPG, GIF, BMP, PNG)	
	Media Resolution	1920x1080/1080x1920	
	Internal Memory	6GB	
	CPU	Quad Core ARM Cortex A17@1.8GHz And Quad Mali -T764	
	GPU	ARM Mali-400MP2	
	RAM	2GB DDR3	
	ROM	8GB NAND	
	USB	USB2.0 HOST x1	
	Wi-Fi	802.11b/g/n	
	OS	Android 5.1.1	
	Graphic Engine	OpenGL ES2.0 and OpenVG 1.1	
Special	Images, Videos, Audio, RSS Feeds, Website/HTML5, Multiple Zones, Background Image, Scrolling Text Message, Static Text, Editable Background Colours, Editable Font Colours, Time and Date, Remote Commands, User Management, Multi-screen Synchronisation		

Why Choose Our Commercial Display Solutions?



Lifetime Technical Support

From the moment you receive your product, throughout the duration of your warranty and even after your warranty has expired we are here to support you. If you require any assistance setting up or using your product, or have any problems at all, we can provide free technical support via telephone and email.



On-site Support and Maintenance*

If needed, we can provide an installation service for any of our products. We can also set up service-level agreements for larger projects that require maintenance contracts.



Extended Warranty*

All of our commercial display products come with a 3 year commercial warranty as standard but if you want to extend this you can upgrade this to cover a 5 year period at point of purchase.



Training

As well as providing free remote CMS training sessions and webinars we can also visit you to deliver bespoke training for our software and hardware*.



Advanced Replacements†

Should your display suffer from any kind of hardware failure during the warranty period we will send you an advanced replacement and arrange for your old display to be collected, free of charge. This ensures no downtime where you are without a screen.



Custom Product Testing & Configuration

If you need us to test third party software or a website, or configure your screen in a particular way before it is dispatched (e.g. in a particular orientation or network mode), we can do so to make your life easier.



3D Rendering

Want to know how a particular screen will look once installed? Send us a photo of the location and we will create a 3D rendering of any screen in situ to help you to visualise how amazing it will look.



Logistics Support

We hold more stock in our UK warehouse than any other manufacturer so we can help you meet tight deadlines. For last minute orders we can also offer special express or morning delivery options*. We also carry out UK based quality control checks on every display before it leaves our warehouse.



Project Support

If you need to loan a sample unit to test we'd be more than happy to arrange this. We can also provide a rental service for temporary projects*.



Customisation*

Your display can be customised to suit your requirements by adding your logo or printed graphics or even tailoring the colour of a display. We can also carry out hardware modifications to existing products or manufacture bespoke solutions for special projects.



Extras*

As well as being able to provide accessories and add-ons, such as extra remote controls, NUC PCs and video wall controllers, we can also supply custom made flight cases which are great if a display needs to be moved safely from place to place.

†UK mainland only

*These particular services may incur additional charges